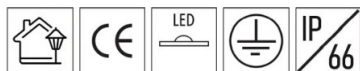


KEN MICRO SP

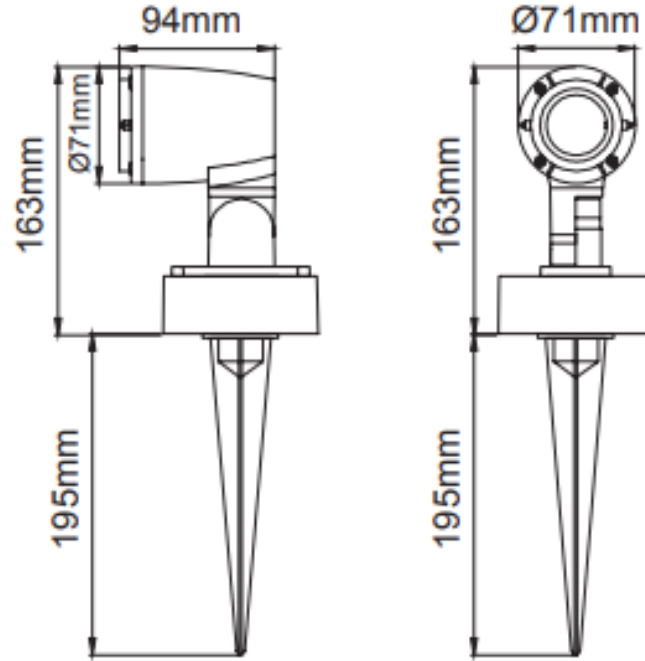
SKU: NZ-008



Description:

- Direct lighting luminaire for use with LEDs.
- Corrosion resistant die-cast aluminium body.
- Installation with bracket on floor, walls and ceiling surfaces.
- Mains voltage: 220-240V / 50-60Hz.
- Clever thermal design.
- 20,35 ,45,60 dg beam angles available.
- Optionally 2 cable entries for through-wiring of mains supply cable.
- Internal silicon gaskets ensure IP protection.
- All external screws are stainless steel.
- Double layer polyester powder paint resistant to corrosion and salt spray fog.
- High colour consistency: <3 SDCM
- Mechanical aiming lock.
- DALI and 1-10V dimming options available.
- 7W power available

Technical Informations:



Model	Power	CRI	Kelvin	Lumen
KEN MICRO SP	10w	CRI 80	2700K	745
			3000K	816
			3500K	839
			4000K	843
			5000K	847
			6500K	X
KEN MICRO SP	10w	CRI 90	2700K	693
			3000K	760
			3500K	780
			4000K	785
			5000K	X
			6500K	X