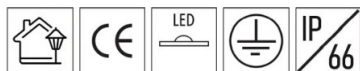


GENK MAXI R

SKU: NZ-0002

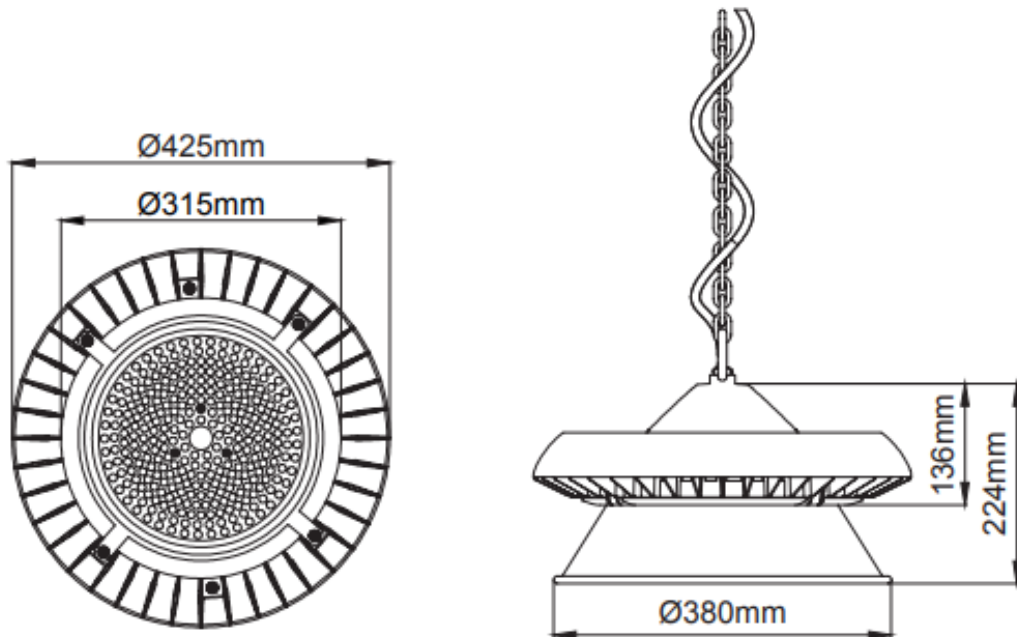




Description:

- Direct lighting luminaire for use with LEDs.
- Corrosion resistant die-cast aluminium body.
- Installation with bracket or chain on ceiling surfaces
- Mains voltage: 220-240V / 50-60Hz.
- Clever thermal design with internal cooling pins.
- 60,90,120 beam angles available.
- Suitable for illumination up to 6-12 meter height.
- All external screws are stainless steel.
- Aluminium front reflector reduces glare

Technical Informations:



Model	Power	CRI	Kelvin	Lumen		
Genk Maxi R	150w	CRI 70	2700K	26134		
			3000K	26389		
			3500K	X		
			4000K	26901		
			5000K	27160		
			6500K	26645		
Genk Maxi R	150w	CRI 80	2700K	24081		
			3000K	24337		
			3500K	X		
			4000K	25875		
			5000K	25900		
			6500K	24593		
			100w		available	
			125w		available	