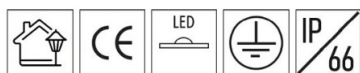


## NILA 4

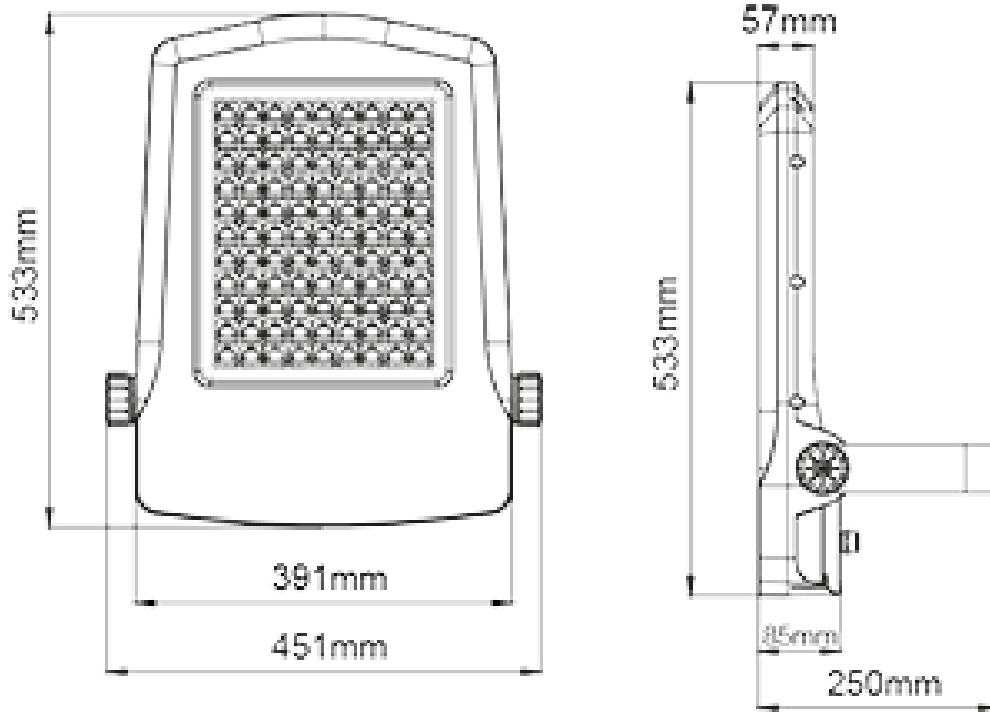
SKU: NZ-0004



## Description:

- Direct lighting luminaire for use with LEDs.
- Corrosion resistant die-cast aluminium body.
- Installation with bracket on floor, walls and ceiling surfaces.
- Mains voltage: 220-240V / 50-60Hz.
- Clever thermal design with internal cooling pins.
- 20, 25 ,49 .90 dg beam angles available.
- Suitable for illumination up to 8 meter height.
- All external screws are stainless steel.
- Double layer polyester powder paint resistant to corrosion and salt spray fog.
- High colour consistency: <3 SDCM
- Stainless steel cable gland and mains cable provided with IP68 socket.
- Mechanical aiming lock
- CRI 70 available upn requests

### Technical Informations:



Model	Power	CRI	Kelvin	Lumen
Nila 4.150	150w	CRI 80	2700K	17700
			3000K	18750
			3500K	19050
			4000K	19800
			5000K	19950
			6500K	19500
Nila 4.200	200w	CRI 80	2700K	25605
			3000K	27332
			3500K	27620
			4000K	28771
			5000K	28799
			6500K	28196