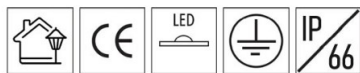


NILA 1

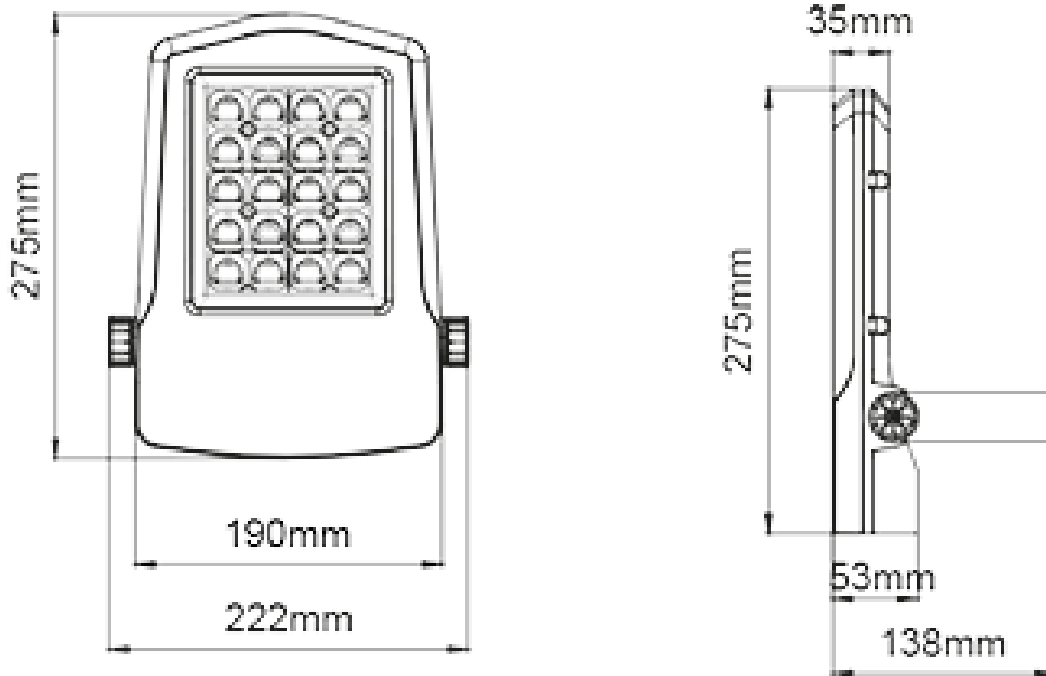
SKU: NZ-0001



Description:

- Direct lighting luminaire for use with LEDs.
- Corrosion resistant die-cast aluminium body.
- Installation with bracket on floor, walls and ceiling surfaces.
- Mains voltage: 220-240V / 50-60Hz.
- Clever thermal design with internal cooling pins.
- 20,25,49,90 dg beam angles available.
- Suitable for illumination up to 8 meter height.
- All external screws are stainless steel.
- Double layer polyester powder paint resistant to corrosion and salt spray fog.
- High colour consistency: <3 SDCM
- Stainless steel cable gland and mains cable provided with IP68 socket.
- Mechanical aiming lock
- CRI 70 available upon request

Technical Informations:



Model	Power	CRI	Kelvin	Lumen
Nila 1.20	20w	CRI 80	2700K	2360
			3000K	2500
			3500K	2540
			4000K	2640
			5000K	2600
			6500K	3065
Nila 1.40	40w	CRI 80	2700K	4738
			3000K	5058
			3500K	5111
			4000K	5325
			5000K	5329
			6500K	5217