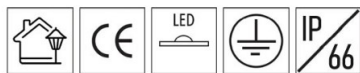


TETRA MICRO

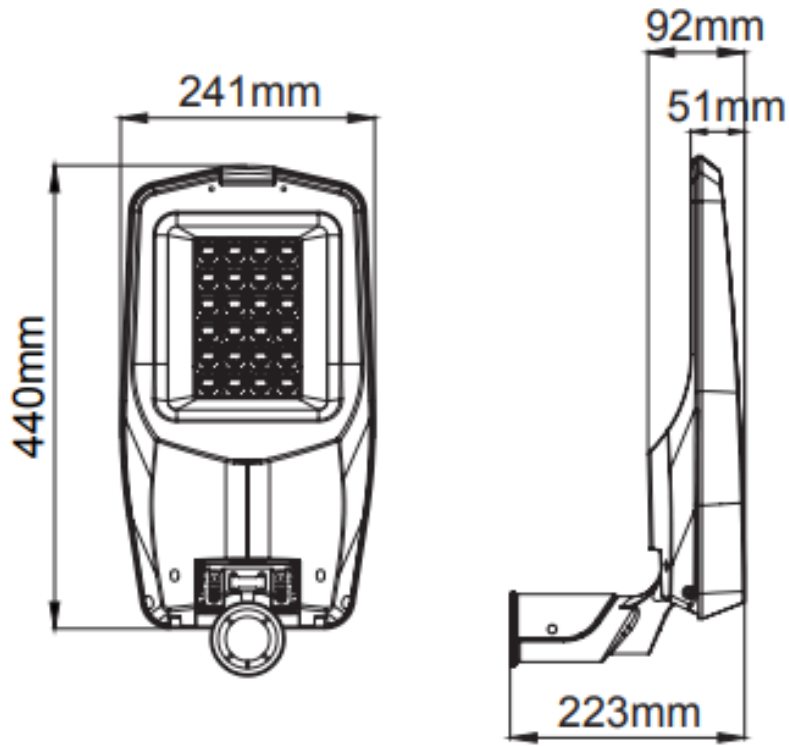
SKU: NZ-0001



Description:

- Street lighting system for use with LEDs.- Corrosion resistant die-cast aluminium body.
- Silicon gasket, All exterior parts are stainless steel.
- Tempered safety glass.
- Mains voltage: 220-240V / 50-60Hz.
- Two different light distribution options available.
- Pole-top installation on poles with ending part from Ø42 to Ø63mm
- Driving current options of 375mA, 500mA and 650mA.
- Suitable for lighting classes up to ME3.
- 1-10V, DALI and Astro dim options available upon request.
- Motion sensor can be integrated optionally.
- Apart from standart 4000K, 2700K, 3000K, 3500K and 5000K CCT options are also available.
- standards.
- Two different light distribution options available.

Technical Informations:



Model	Power	CRI	Kelvin	Lumen
Tetra Micro 25	25w	CRI 80	4000K	3600
Tetra Micro 35	35w	CRI 80	4000K	4865